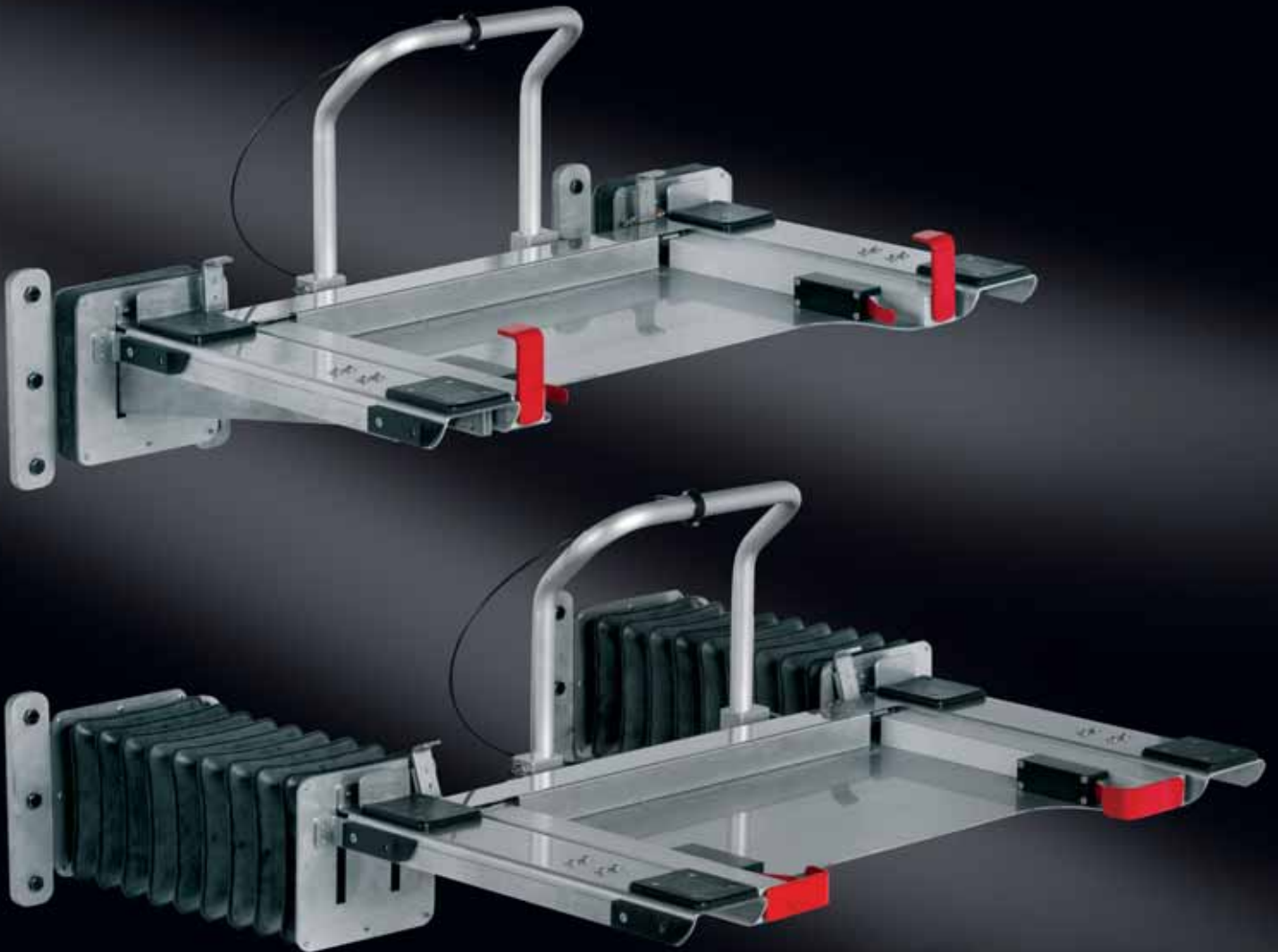


# **ProMIL<sup>®</sup>** **700**

Sideways Sliding  
Stretcher Place

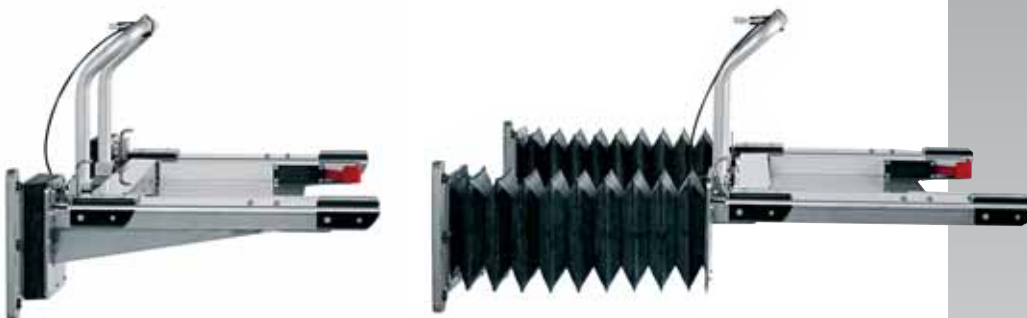


**FRESTEMS**  
Flexible Rescue Systems

# ProMIL<sup>®</sup> 700

## ProMIL 700 Sideways Sliding Stretcher Place

Wall fastening to enhance mine protection and safety for patients in under hull blasts. Secondary stretcher place, ideal for locating on the wheel base of a military ambulance.



Stable sideways sliding.



Stretcher loading 1-2-3



Automatic NATO Stretcher locking (STANAG 2040) through automated frame locking mechanism.

Frestems is a specialist manufacturer of military stretcher fastening systems and soldier evacuation equipment. Through a long history of equipping military ambulance vehicles and a focus on long term product development and quality improvement, Frestems has become recognized as the leading military ambulance contractor in Europe. Frestems ProMIL products are saving lives in the toughest and most demanding operations throughout the world.

### Contact information

Frestems Oy Ahertajankatu 16 Tel. +358 3 51 57 357 frestems@frestems.fi  
FI-38250 Sastamala Fax +358 3 51 57 333 www.frestems.fi  
FINLAND